



## KBR2D

### Kiosk Barcode Reader

KBR2D is the family of barcode scanners designed for self-service kiosks, ATMs, price checkers, healthcare and for any OEM application, also available in a plastic case version (KBR2D-C). KBR2D is a high-performance, high-volume omnidirectional scanner, capable of quickly and accurately reading any 1D and 2D barcodes, whether printed on paper (badges, receipts, health bracelets) or displayed on the screen of a smartphone or of a tablet. KBR2D scanners are based on CMOS technology for optimal image sensitivity and dynamic range. KBR2D integration is quick and easy thanks to several mounting options.

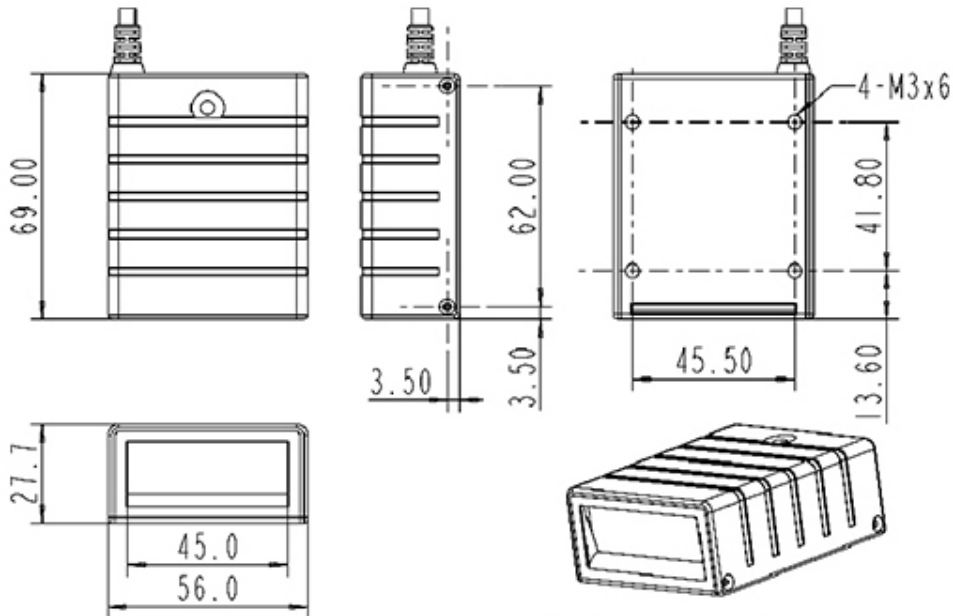


## CHARACTERISTICS

- **Easily integrated** with various OEM applications
- 1D and 2D barcode scanning
- **Omnidirectional scanning:** no need to align barcode and scanner, ensuring user comfort and protecting productivity
- **Long distance reading** from 3 to 28 cm without problems even in direct sunlight (100,000 lux)
- **Reading barcodes on screens** of smartphones or tablets even with brightness reduced to 25/30%
- Red colored pointer for precise aiming and optimal barcode acquisition
- **Flexibility:** various external mounting options or internal screw holes
- **Integrated decoder**
- **Custom ScannerSet** configuration software

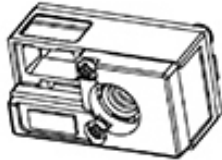
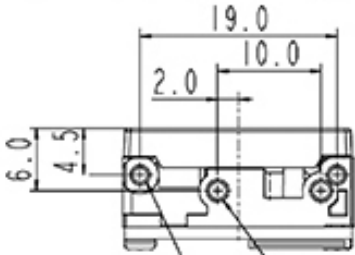
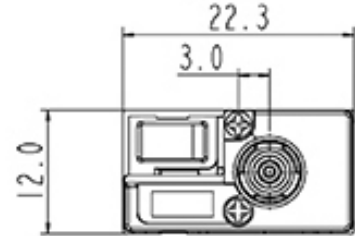
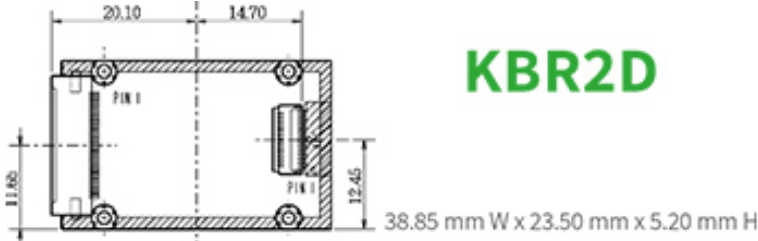
## DIMENSION:

### KBR2D-C



56 mm W x 69 mm D x 28 mm H

KBR2D



2- $\phi$ 1.65 ( screw hole )  
2- $\phi$ 1.4 ( screw hole ) unit : mm

## TECHNICAL SHEET

|                                    | KBR2D-C  | KBR2D                              |
|------------------------------------|--|------------------------------------|
| <b>GENERAL</b>                     |  |                                    |
| <b>Interface</b>                   | USB-HID(or Virtual COM port)   | RS232/USB-HID(or Virtual COM port) |
| <b>Barcodes Supported (1D)</b>     | UPC-A, UPC-E, EAN-8/JAN-8, EAN-13/JAN-13, Code 39, Code 128, Interleaved 25, Industrial 25, Matrix 25, Codabar/NW7, Code 93, China Post, MSI/Plessey, Telepen, GS1 Databar Omni-directional, GS1 Databar Limited, GS1 Databar Expanded |                                    |
| <b>Barcodes Supported (2D)</b>     | Data Matrix, PDF 417, QR Code, Micro QR Code, Dot Code DISABLED BY DEFAULT: Aztec, Micro PDF 417, Han Xin Code, GM Code  |                                    |
| <b>ELECTRICAL</b>                  |  |                                    |
| <b>Supply Voltage</b>              | DC+5V±5%   |                                    |
| <b>Current Draw</b>                |  |                                    |
| <b>Stand By (Typ.)</b>             | 40mA ±10%  |                                    |
| <b>Operation (Typ.)</b>            | 380mA ±10%   |                                    |
| <b>PERFORMANCE</b>                 |  |                                    |
| <b>Light Source</b>                | White light LED  |                                    |
| <b>Sensor</b>                      | 1280 (H) x 800 (V) pixels  |                                    |
| <b>Field of View</b>               | Horizontal – 55°, Vertical – 35°   |                                    |
| <b>Scan Rate</b>                   | 60 fps (at full resolution)  |                                    |
| <b>Reading Distance</b>            | From 3 to 28 cm  |                                    |
| <b>Print Contrast Ratio</b>        | PCS30%@5mil/0.127 mm   |                                    |
| <b>Resolution</b>                  | 3mil/0.076 mm@PCS90% Code39, 8mil/0.2 mm@PCS90% QRCode   |                                    |
| <b>Reading Angle</b>               | Test Conditions: Code 39, 10mil/0.25 mm, PCS90%  |                                    |
| <b>Pitch Angle/Skew Tolerance</b>  | 5°~60° (±5°)   |                                    |
| <b>Ambient Light</b>               | Works in any lighting conditions from 0 to 100,000 lux   |                                    |
| <b>Roll</b>                        | 360°   |                                    |
| <b>Indicator</b>                   | Good read beep   |                                    |
| <b>ENVIRONMENTAL</b>               |  |                                    |
| <b>Operating Temperature</b>       | 0 °C to 50 °C  |                                    |
| <b>Storage Temperature</b>         | -20 °C to 70 °C  |                                    |
| <b>Relative Humidity</b>           | 20% to 95% (Non-condensing)  |                                    |
| <b>RELIABILITY</b>                 |  |                                    |
| <b>Life Time MTBF (calculated)</b> | 50,000 hours   |                                    |
| <b>Thermal Shock</b>               |  |                                    |
| <b>High Temp.</b>                  | 60°C   |                                    |
| <b>Low Temp.</b>                   | -20 °C   |                                    |
| <b>Cycle Time</b>                  | 30 minutes for high temp./30 minutes for low temp.   |                                    |
| <b>Mechanical Shock</b>            | 2000G, 0.7ms, half sinus, 3axes  |                                    |
| <b>Vibration</b>                   | 8G r.m.s, from 10 to 500Hz, 2 hours per axis, 3 axes   |                                    |

## KBR2D-C

## KBR2D

### PHYSICAL

#### Weight

**Reader** 106 g (optical + board + case) 28 g (optical + board)

**USB cable** 51 g -

**Material** Polycarbonate -

**Dimension** 56 mm W x 69 mm D x 28 mm H 38.85 mm W x 23.50 mm x 5.20 mm H

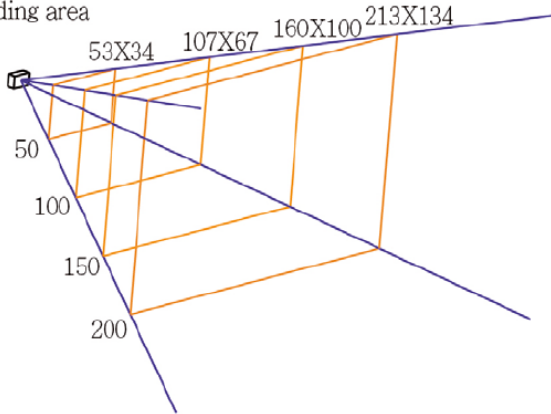
### READING RANGE

#### Barcode mil/Depth of Field mm

#### KBR2D-C

#### KBR2D

Reading area



|                      |           |                      |           |
|----------------------|-----------|----------------------|-----------|
| <b>3mil Code39</b>   | 50~90 mm  | <b>3mil Code39</b>   | 60~100 mm |
| <b>4mil Code39</b>   | 45~100 mm | <b>4mil Code39</b>   | 55~110 mm |
| <b>10mil Code39</b>  | 30~220 mm | <b>10mil Code39</b>  | 50~220 mm |
| <b>20mil Code39</b>  | 30~220 mm | <b>20mil Code39</b>  | 50~300 mm |
| <b>20mil QR Code</b> | 30~280 mm | <b>20mil QR Code</b> | 50~300 mm |
| <b>20mil QR Code</b> | 30~210 mm | <b>20mil QR Code</b> | 50~200 mm |
| <b>20mil PDF417</b>  | 30~120 mm | <b>20mil PDF417</b>  | 50~120 mm |

Note: The test is under ambient light 700 ~ 800 Lux.

The difference in depth of field between the two models depends on the fact that in the KBR2D-C model the optics are housed in a frame.

### MODELS



#### 9C3FH01000001

KIOSK BARCODE SCAN 1D/2D  
OPEN FRAME KBR2D

#### 9C3FH01000002

KIOSK BARCODE SCAN 1D/2D  
COVERED KBR2D-C

Via Berettine, 2 - 43010 Fontevivo PR - VAT: IT02498250345 - TEL: +39 0521 680111 - FAX: +39 0521 610701 - UNIQUE CODE: 8RQN7AZ

The technical data on this website are not binding and may be changed without advanced notice.

Last update: 31 December 2025