



BLUEBOX UHF MR ANTENNA

APPLICATIONS

- Industrial Application
- Supply Chain
- Asset Tracking
- Access Control

FEATURES

- Small dimension
- Up to 2 m Reading Range
- Circular polarized
- Easy to integrate with UHF Mid-Range-Reader

RFID OPTIONS

- 864 – 868 MHz (ETSI)
- 902 – 928 MHz (FCC)

DESCRIPTION

iDTRONIC's Mid-Range BLUEBOX Antenna UHF is a high-performance device which can be used in combination with our BLUEBOX UHF Controllers.

It enables the UHF BLUEBOX Mid-Range reading of up to 2 meters. Through its circular polarized setting, the user will be able to read out the tags in multiple 3D orientations.

Thanks to its specification, small dimensions and robust housing, this UHF Mid-Range Antenna can be used for Forklift or Access Control applications.

APPLICATION EXAMPLES

WASTE MANAGEMENT

The antenna is IP68 rated, meaning it is suitable for permanent outdoor installations. The 'all-plastic'-housing prevents the antenna from corroding. The antenna is moderately impact resistant and can be water blasted. The $\sim 100^\circ$ beam-width of the antenna makes wheelie bin detection easy and straight-forward. The antenna can be cleaned with cleaning agents and it would not be adversely affected. The physical size of the antenna is small and thus installation in waste management trucks is hassle free.



RETAIL MANAGEMENT

The antenna can easily be deployed in space constrained environments such as retail. With its superb aesthetics and compact design, the antenna blends well into the retail back drop.

The antenna sends an signal to the computer when the shelf of products is empty. The employee's can react quickly and fill up the empty shelf immediately. This ensures the revenue of the retail market and immerses the customer satisfaction.



MEDICAL & PHARMACEUTICAL

The antenna can operate at low-temperature extremes. High-value pharmaceutical assets can be tracked in fridges and freezers using the antenna. The slim design maximizes the usable space inside of a refrigerator. The antenna can handle general purpose cleaning agents and is water resistant. The white colored antenna antenna is suitable for hospitals, medical laboratories, research industries and pharma labs.



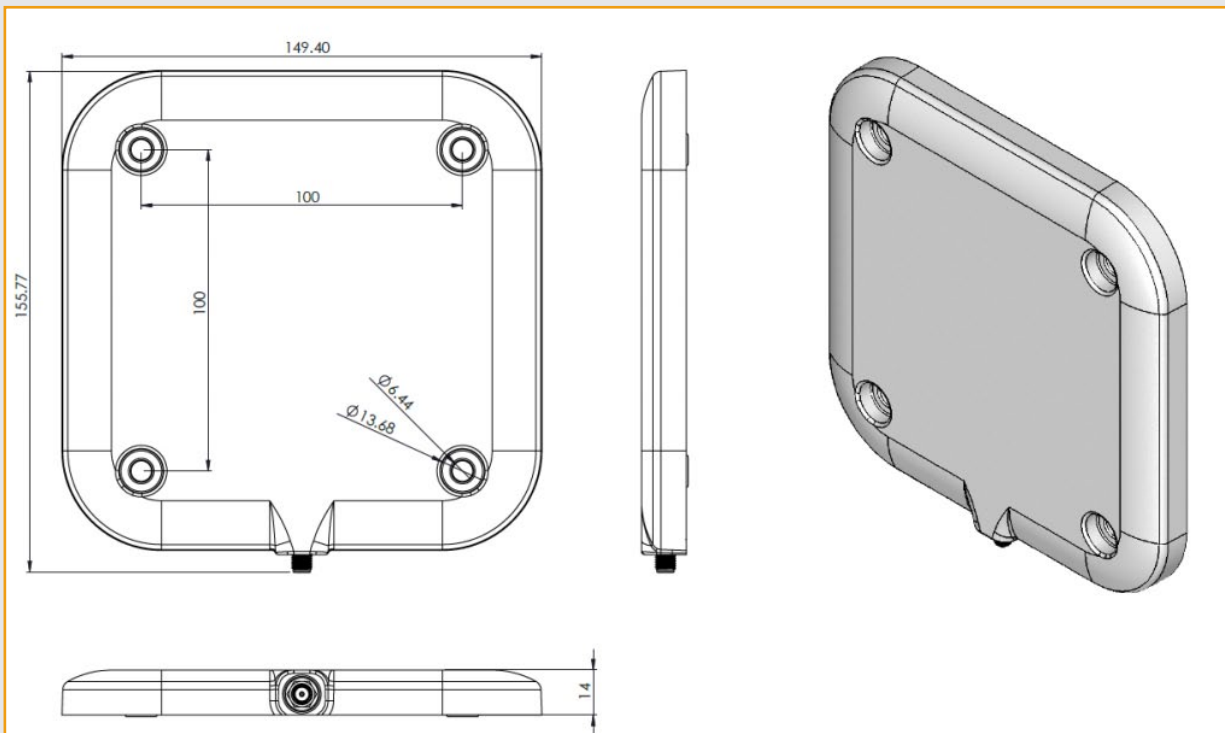
PRODUCT PICTURES



MOUNTING



DIMENSIONS



TECHNICAL DATA

ELECTRICAL SPECIFICATIONS	
Frequency Range	864 – 869 MHz (EU) 902 – 928 MHz (US)
Polarization	RHCP (Right Hand Circular Polarized)
Operating Distance	up to 2 m
Connector Type	SMA female side connector
Antenna Gain	5.5 dBiC typical
Beam width	115° in both planes
VSWR	1.4 typical
Front to back	-10 dB
Axial Ratio	2 dB typical
Nominal Impedance	50 Ω
Anti-static protection	DC Grounded
Antenna Detection	10K Ω resistance
Maximum Input Power	3 W

MECHANICAL ENVIRONMENTAL SPECIFICATIONS	
Dimensions	150 mm × 150 mm × 14 mm
Weight	0.25 kg
Housing-Material	UV-Resistant ABS
Environmental Rating	IP68
Operating Temperature / Storage Temperature	-40 ° to +65 °C
Mounting	Flush or VESA mount (mounting info on page 2)
Humidity	5% to 95%

SUPPORTED TRANSPONDERS
ISO 18000 - 6B
ISO 18000 - 6C
EPC Class 1 Gen 2

ORDER CODE

VERSION	ORDER CODE
MR Antenna	R-T7-A5020

iDTRONIC GmbH
Ludwig-Reichling-Straße 4
67059 Ludwigshafen
GERMANY

Phone +49 (0) 621 66 90 09 4-0
Fax +49 (0) 621 66 90 09 4-9
E-Mail: info@idtronic-rfid.com
Web: idtronic-rfid.com

For further information & prices, please contact info@idtronic-rfid.com

Subject to alteration without prior notice
©2020 iDTRONIC GmbH