

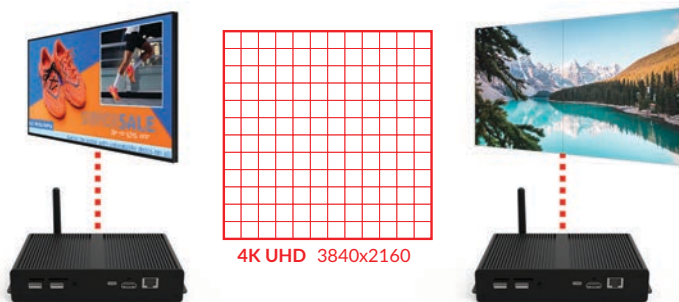
# 4K Android Cloud Network Media Players

**CONVERT**  
**EXISTING DISPLAYS**

*Transform existing 4K screens into networked digital signage displays*

## Transform Existing 4K Displays

If you already have a 4K screen but would like to convert it into a networked digital signage display, these media players provide a cost-effective and hassle-free solution. The Media Players can also be used with Video Walls to display content larger than HD resolution.



## 24/7 Commercial Grade

Thanks to their streamlined design, these innovative displays feature a slim depth, minimal cord clutter, and high energy efficiency. Plus, not only is the aluminium enclosure incredibly lightweight for easy installation, it also has high thermal conductivity. This allows rapid heat loss, improving overall performance and increasing lifespan.



Update from Anywhere



Cloud-Based Software



Android 10



Advanced Processing & Graphics Support



Super Slim Profile



Innovative Heat Sink Fins



Versatile Connectivity



Multiple Outputs



3 Year Warranty

## Other Features

### Effortless Remote Updates

These media players eliminate the need to install special software, have a dedicated PC, or have a dedicated server. Once your media player is connected to your screen and the internet, simply log in to our cloud-based CMS software via our online portal and update content instantly from anywhere in the world.



### Android 10 Operating System

Running on Android 10 ensures these media players are faster and easier to update than ever before, as well as allowing live webpages to be displayed and broadening compatibility with third-party applications.



### Super Slim Profile

With their ultra-thin depth ensuring a seamless fit behind screens, these media players are incredibly easy to integrate when installing.



### Performance Enhanced Enclosure

The innovative heat sink fin design efficiently dissipates heat, ensuring the media player stays within its optimal temperature range. Not only does this make it suitable for continuous 24/7 use by preventing overheating, it also vastly improves overall performance.



### Plug and Play Backup

If you lose your internet connection you can still update the media player using a USB stick to keep things simple.



### Versatile Connectivity

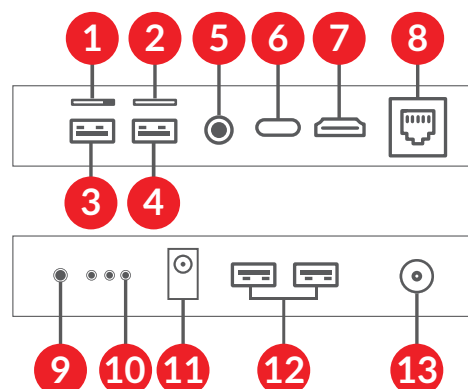
Connect the media player to your network using an Ethernet cable or over Wi-Fi, the choice is yours. For applications that require a dedicated network, a 4G upgrade is also available.



### Multiple Outputs

Depending on the inputs of your existing display, connect the media player via HDMI and 3.5mm audio jack. Plus, easily increase the internal memory or attach more devices thanks to the TF card slot and USB ports respectively for ultimate futureproofing.

- |            |                |           |
|------------|----------------|-----------|
| 1 TF Card  | 6 USB-C        | 11 DC 12V |
| 2 Sim Card | 7 HDMI         | 12 USB x2 |
| 3 USB      | 8 LAN          | 13 4G/Wif |
| 4 USB OTG  | 9 IR Extension |           |
| 5 Audio    | 10 IR          |           |



## Other Features



CLOUD-BASED SOFTWARE



ANDROID 10



24/7 COMMERCIAL USE



HEAT SINK DESIGN



POWER TIMER



4 X USB PORTS



HDMI OUTPUT



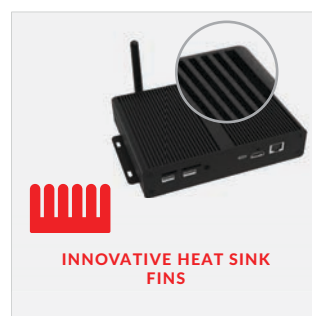
LAN CONNECTION



LONG RANGE WI-FI AERIAL



SUPER SLIM PROFILE



INNOVATIVE HEAT SINK FINS



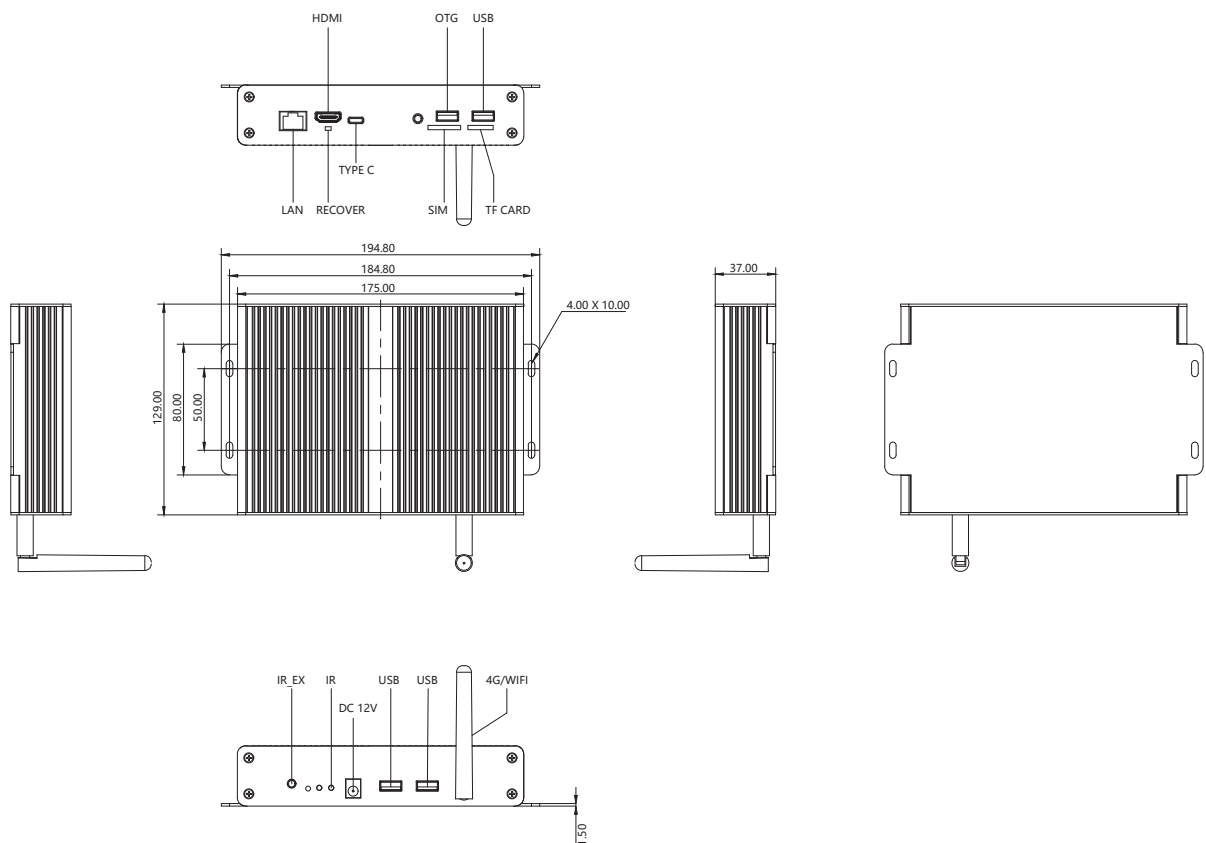
MULTIPLE OUTPUTS

## Other Features

		4K Android Cloud Network Media Player
AV Outputs	Video	HDMI
	Audio	Stereo Analog Audio Socket (3.5mm)
Power	Power Consumption (W)	<5
	Input Voltage	DC 12V
Mechanical	Unit Size (WxHxD mm)	194.8x129x37
	Package Size (WxHxD mm)	205x165x110
	Net Weight (kg)	0.65
	Gross Weight (kg)	1.1
Environmental	Operating Temperature	0 °C to 50 °C
	Storage Temperature	-30°C to 60°C
	Operating Humidity	10% to 80%
	Storage Humidity	5% to 95%
Computer	Media Formats	Video (MPG, AVI, MP4, RM, RMVB, TS), Audio (MP3, WMA), Image (JPG, GIF, BMP, PNG)
	Media Resolution	3840x2160/2160x3840
	Internal Storage	32GB
	CPU	Rockchip RK3399 @1.8GHz
	GPU	Mali-T860 MP4 @600MHz
	RAM	4GB DDR3
	USB	USB2.0 HOST (x2), USB3.0 HOST (x2)
	LAN	10/100Mb/s Ethernet
	Wi-Fi	802.11b/g/n/ac
	OS	Android 10
Accessories	Graphic Engine	OpenGL ES 1.1/2.0/3.0/3.1, OpenCL 1.1, Renderscript, Direct3D 11.1
	Included	HDMI Cable, Scheduling Software, Remote Control, User Manual
Warranty	Warranty Period	3 Year Warranty
	Technical Support	Lifetime

Errors and omissions excepted

## Technical Drawing



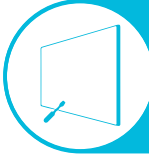


# Why Choose Our Commercial Display Solutions?



## Lifetime Technical Support

From the moment you receive your product, throughout the duration of your warranty and even after your warranty has expired we are here to support you. If you require any assistance setting up or using your product, or have any problems at all, we can provide free technical support via telephone and email.



## On-site Support and Maintenance\*

If needed, we can provide an installation service for any of our products. We can also set up service-level agreements for larger projects that require maintenance contracts.



## Extended Warranty\*

All of our commercial display products come with a 3 year commercial warranty as standard but if you want to extend this you can upgrade this to cover a 5 year period at point of purchase.



## Training

As well as providing free remote CMS training sessions and webinars we can also visit you to deliver bespoke training for our software and hardware\*.



## Advanced Replacements†

Should your display suffer from any kind of hardware failure during the warranty period we will send you an advanced replacement and arrange for your old display to be collected, free of charge. This ensures no downtime where you are without a screen.



## Custom Product Testing & Configuration

If you need us to test third party software or a website, or configure your screen in a particular way before it is dispatched (e.g. in a particular orientation or network mode), we can do so to make your life easier.



## 3D Rendering

Want to know how a particular screen will look once installed? Send us a photo of the location and we will create a 3D rendering of any screen in situ to help you to visualise how amazing it will look.



## Logistics Support

We hold more stock in our UK warehouse than any other manufacturer so we can help you meet tight deadlines. For last minute orders we can also offer special express or morning delivery options\*. We also carry out UK based quality control checks on every display before it leaves our warehouse.



## Project Support

If you need to loan a sample unit to test we'd be more than happy to arrange this. We can also provide a rental service for temporary projects\*.



## Customisation\*

Your display can be customised to suit your requirements by adding your logo or printed graphics or even tailoring the colour of a display. We can also carry out hardware modifications to existing products or manufacture bespoke solutions for special projects.



## Extras\*

As well as being able to provide accessories and add-ons, such as extra remote controls, NUC PCs and video wall controllers, we can also supply custom made flight cases which are great if a display needs to be moved safely from place to place.

†UK mainland only

\*These particular services may incur additional charges