

ER SERIES

Price Computing Scale

With elegant design, Various functions and
Dual choices for display (LCD, VFD)
ER is the most universal scale for price computings



CAS
S · C · A · L · E

ER SERIES

Price Computing Scale

FEATURES

- 5 Direct PLU & 199 indirect PLU
- Soft touch tack switch with silicon rubber key pad
- Daily total function
- Change calculating function
- Calculating function : Accumulation/Multiplication
- Rechargeable Battery (L.C.D Type)
- Auto Power off (L.C.D Type)

OPTIONS

- Back-Light (L.C.D Type)
- RS- 232 (PC/Printer)
- SUS Tray
- Rechargeable Battery (V.F.D Type)
- Pole Type Display
- Color : ① Blue ② Gray

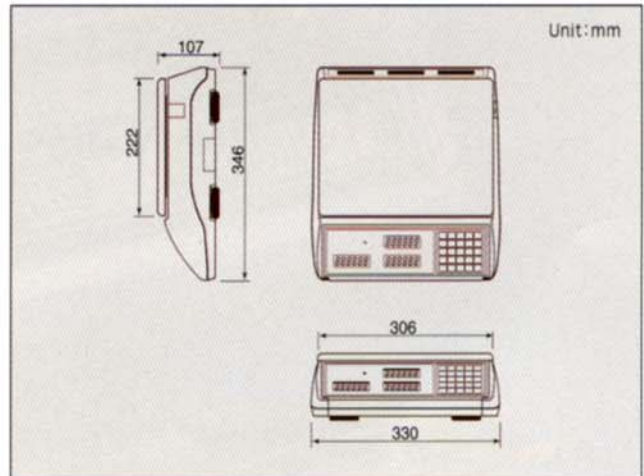
SPECIFICATIONS

Model	ER(LCD)	ER(VFD)
Weighing Capacity	6kg × 2g, 15kg × 5g, 30kg × 10g	
Display Digits	5/6/6 (Weight/ Unit price/ Total price)	
Display Type	LCD	VFD
Display Designators	Power, Zero, Tare, Lowbattery, B/L	
Power Source	AC 110/220V, 50/60Hz Rechargeable Battery (6V, 3.6Ah)	
R/C Battery Operating Time	LCD 120hr	VFD 5hr
Charging Time	12hr	
Dimensions (mm)	360(W) × 360(D) × 106(H)	
Temperature	-10 °C ~ + 40 °C	
Product Weight	4.5 kg	

POLE TYPE



DIMENSIONS



CAS
S · C · A · L · E

CAS BLDG., # 440-1, SUNGNAE - DONG,
GANGDONG - GU, SEOUL, KOREA
TEL : 82 - 2 - 2225 - 3500
FAX : 82 - 2 - 475 - 4668
<http://www.cas.co.kr>

Specifications are subject to change for improvement without prior notice.