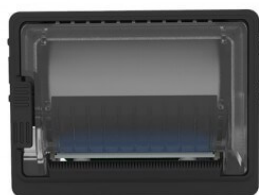
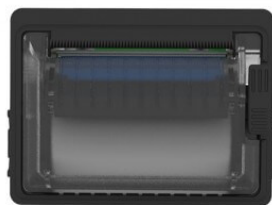




PM2 Mini

Compact printing module 2"

PM2 Mini is the **compact** panel printer with high **printing quality**, ideal for installation in several technical equipments. The **energy efficient** and **paper saving** functions allow to combine performance and attention to the environment. PM2 Mini is also fully compatible with the previous model (mPLUS2) both for hardware and software.



CHARACTERISTICS

- 1. New ergonomic design**
with a simplified opening system
 - 2. Paper saving functionality**
to reduce paper use
 - 3. Ultra-compact solution**
-

APPLICATIONS

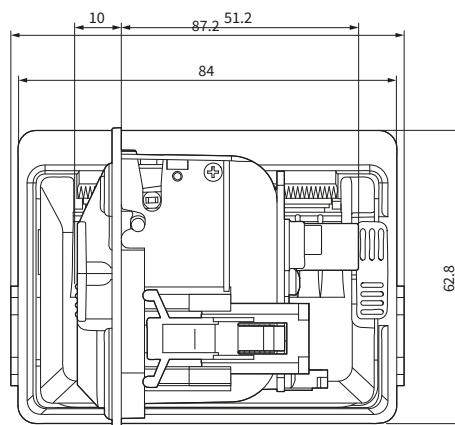
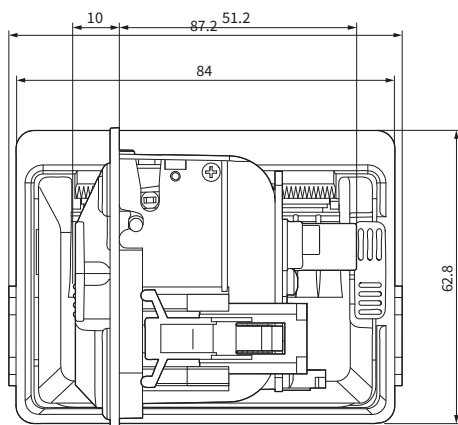
- Workshop equipment
 - Medical equipment
 - Weighing instruments
 - Fire detection systems
 - Sterilization equipment
 - Control and measurement instruments
 - Fire detection system
-

ACCESSORIES

- Power supply
 - Starter Kit: power supply cable + serial/TTL interface 5 Volt
-

TECHNICAL SHEET

Printing Method	Thermal with fixed head
Resolution	203 dpi (8 dots/mm)
Printing speed	max 60mm/sec (@7.5V)
Supported Barcode	1D: UPC-A, UPC-E, EAN8, EAN13, CODE39, ITF, CODABAR, CODE93, CODE128, CODE32 2D: PDF417 and QRcode
Paper width	57 mm ± 0.5
Paper weight	from 55 to 70 g/m ²
Paper thickness	from 63µm to 85µm
Roll Dimension	Ø 30mm, Ø 12mm internal
Printing width	48 mm
Printing mode	Normal, 90°, 180°, 270°
Printing format	Altezza/Larghezza da 1 a 8, grassetto, negativo, sottolineato, corsivo
Character set	International character sets available: all European, Russian, Turkish, Arabic, Chinese (GB18030), Katakana
Sensors	Head temperature, paper presence
Emulation	CUSTOM/POS PLUS
Interfaces	RS232/TTL, USB
Data Buffer	8kB
Flash Memory	8MB (+768 Kb internal)
RAM Memory	256Kb internal
Graphic Memory	Logos dynamic management (max. 32 kB graphic memory)
Head life	100Km (100M pulses)
Drivers	Windows® (32/64 bit) – only on request WHQL and silent installation; CUPS Linux (32/64 bit); Virtual COM (Linux or Windows 32/64 bit); Android™
Software Tools	PrinterSet, Custom Windows API
Power supply	from 4 Vdc to 8 Vdc (optional external power supply)
Typical	max. 2.7 A
Operating temperature	-20 a +70
Dimensions	With cover closed: 87.2 mm (L) x 61.2 mm (W) x 62.8 mm (H) With cover opened: 87.2 mm (L) x 101.2 mm (W) x 62.8 mm (H)
Weight	98 gr



MODELS



915NB020100333

PRINTING MODULE PM2 MINI USB

RS232

Via Berettine, 2 - 43010 Fontevivo PR - VAT: IT02498250345 - TEL: +39 0521 680111 - FAX: +39 0521 610701 - UNIQUE CODE: 8RQN7AZ

The technical data on this website are not binding and may be changed without advanced notice.

Last update: 11 November 2024